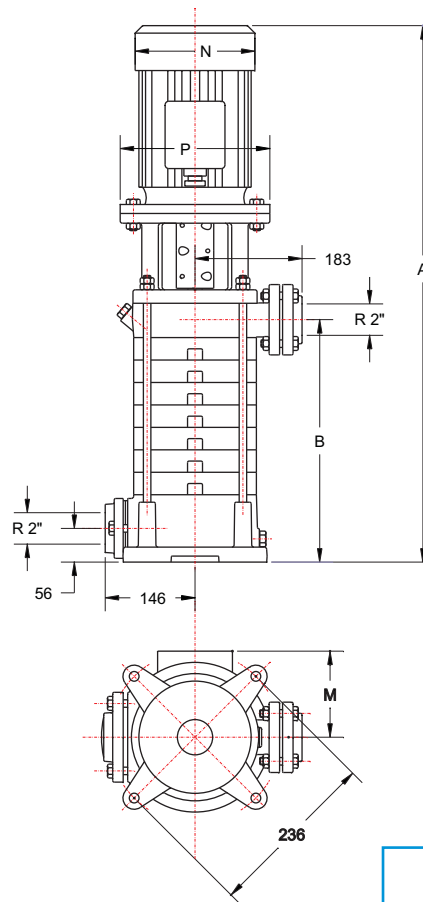
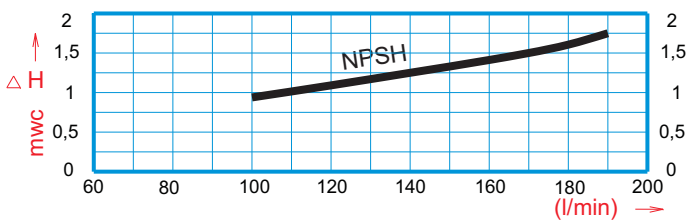
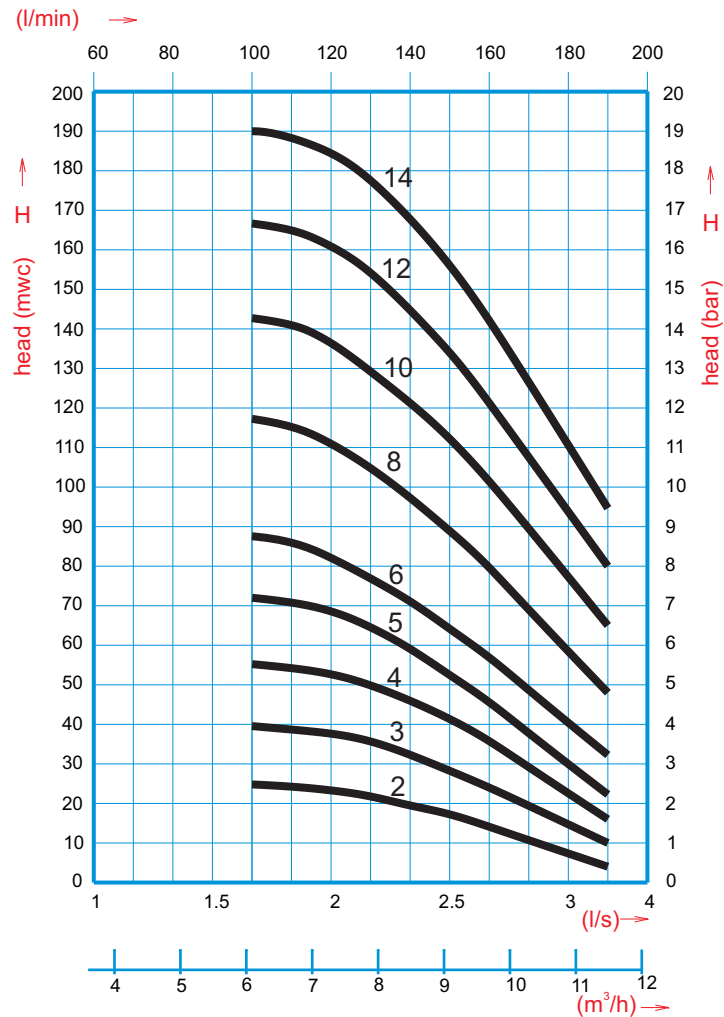


VERTICAL MULTISTAGE PUMP

Comprex VVP 3



Application:

Water supply for drinking and sanitary water.
Cooling and heating systems with fluid from -20 to +140 °C.

Materials:

For temperatures up to + 90 ° C:
Cast iron, stainless steel and noril
Mechanical seal: Carbon / Ceramic.

For temperatures above +90 ° C:
Cast iron, stainless steel and bronze.
Mechanical seal: SiC / SiC / Viton.

Pump type	Motor Data		Measurements (mm)				
	Type	kW	A	B	P	M	N
VVP 3/2	90 S-2	1,5	601	175	250	133	193
VVP 3/3	90 L-2	2,2	666	215	250	133	193
VVP 3/4	100 L-2	3	764	255	250	133	193
VVP 3/5	112 M-2	4	814	295	250	145	218
VVP 3/6	112 M-2	4	854	335	250	145	218
VVP 3/8	132 Sk-2	5,5	995	415	300	190	247
VVP 3/10	132 Sk-2	5,5	1075	495	300	190	247
VVP 3/12	132 S-2	7,5	1193	575	300	190	247
VVP 3/14	132 S-2	7,5	1235	655	300	190	247

Type testing of pumps is made at the Institute for Hydraulic Machines, faculty of Mechanical Engineering in Belgrade, in accordance with the recommendations of DIN 1944 and ISO 2548th. Report number: 06-01-03/95