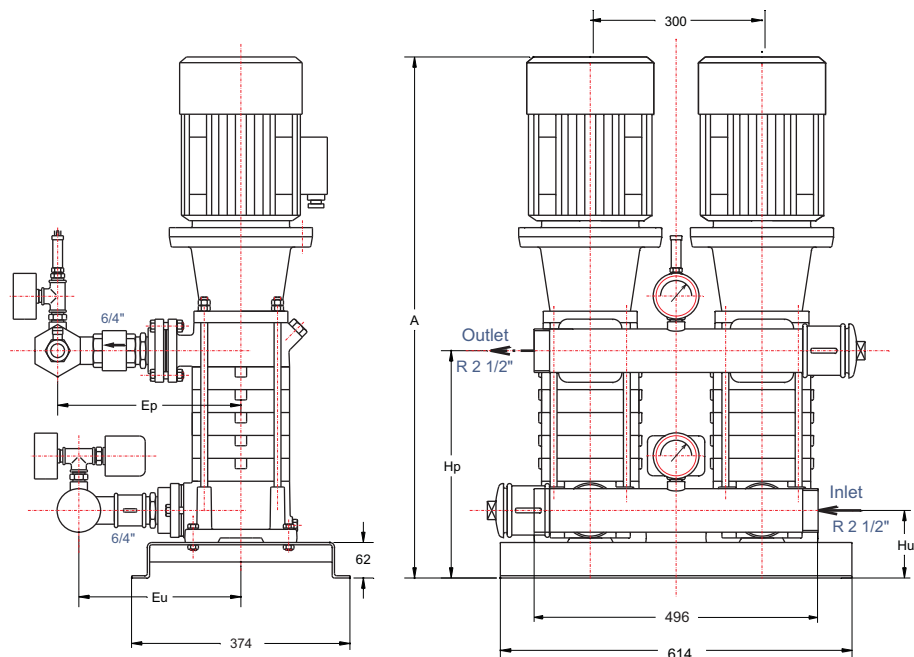


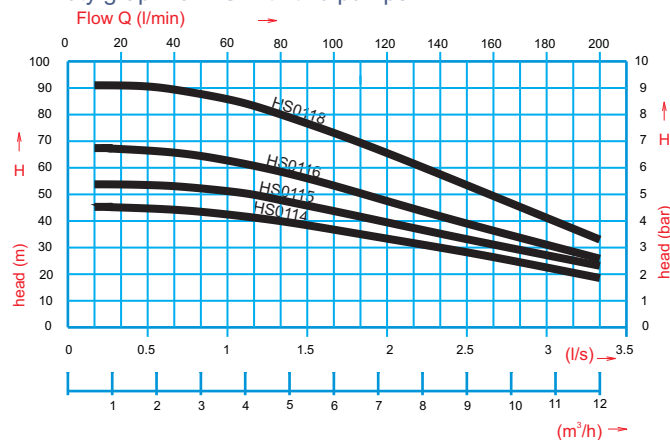
Type Comprex HS



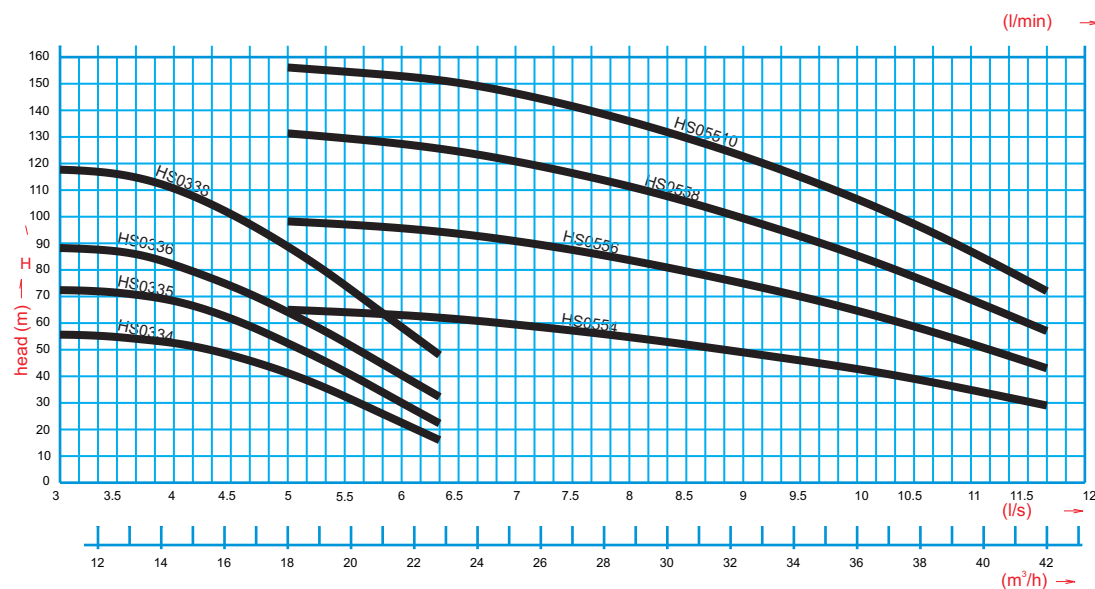
Inlet i outlet 2 1/2"

*Control panel on the wall of the room

Duty graph for HS with two pumps VVP 1



Duty graph for HS with two pumps VVP 3 or VVP 5



Type HS	Type pompe	kW	Measurements (mm)				
			A	Hu	Hp	Eu	Ep
HS 0114	VVP 1/4	1,1	642	107	266	257	300
HS 0115	VVP 1/5	1,1	672	107	296	257	300
HS 0116	VVP 1/6	1,5	725	107	326	257	300
HS 0118	VVP 1/8	1,5	785	107	386	257	300
HS 0334	VVP 3/4	3	826	118	317	283	320
HS 0335	VVP 3/5	4	876	118	357	283	320
HS 0336	VVP 3/6	4	916	118	397	283	320
HS 0338	VVP 3/8	5,5	1057	118	477	283	320
HS 0554	VVP 5/4	4	836	118	317	283	320
HS 0556	VVP 5/6	5,5	977	118	397	283	320
HS 0558	VVP 5/8	7,5	1095	118	477	283	320
HS 05510	VVP 5/10	11	1285	118	557	283	320