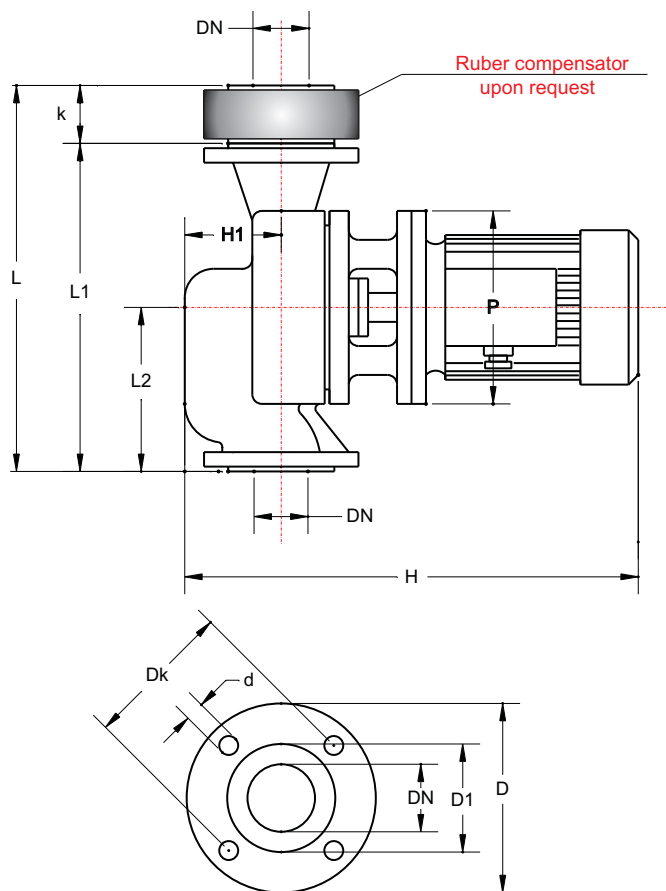


# Cirkulator Pumps with flange

## Inline pumps



## Comprex CPL65 - 2900 r.p.m

Temperature Range : -20 to +140 °C

System pressure: NP 6 (bar)

Materials:

For temperatures up to + 90 °C:

Cast iron, stainless steel

Mechanical seal: Carbon / Ceramic.

For temperatures above +90 °C:

Cast iron, stainless steel and bronze.

Mechanical seal: SiC / SiC / Viton.

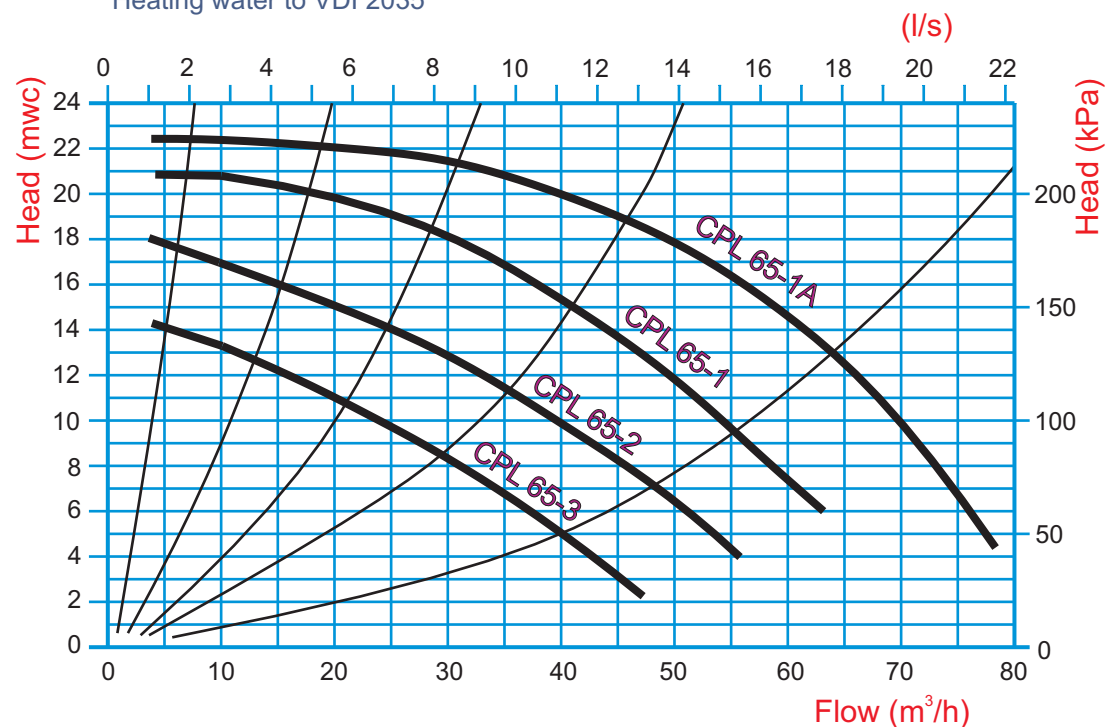
Allowed fluids:

Domestic or industrial water without abrasive

Heating water to VDI 2035

Flange NP 6 - DIN 2531					Measurements					
DN	D	D1	Dk	n x d	L	L1	L2	k	DN	H1
	mm			No.x mm	mm					
65	160	110	130	4 x 14	400	335	167	65	65	86

Pump Type	Motor Data				Measurements		Mass
	Type	kW	A	r.p.m	Hmm	Pmm	kg
CPL 65-1A	112M-2	4	7,9	2880	558	250	73
CPL 65-1	100L-2	3	6,1	2860	551	250	60
CPL 65-2	90L-2	2,2	5	2885	496	200	44
CPL 65-3	80B-2	1,1	2,7	2820	432	200	35



Type testing of pumps is made at the Institute for Hydraulic Machines faculty of Mechanical Engineering in Belgrade, in accordance with the recommendations of DIN 1944 and ISO 2548th. Report number: 06-01-03/95