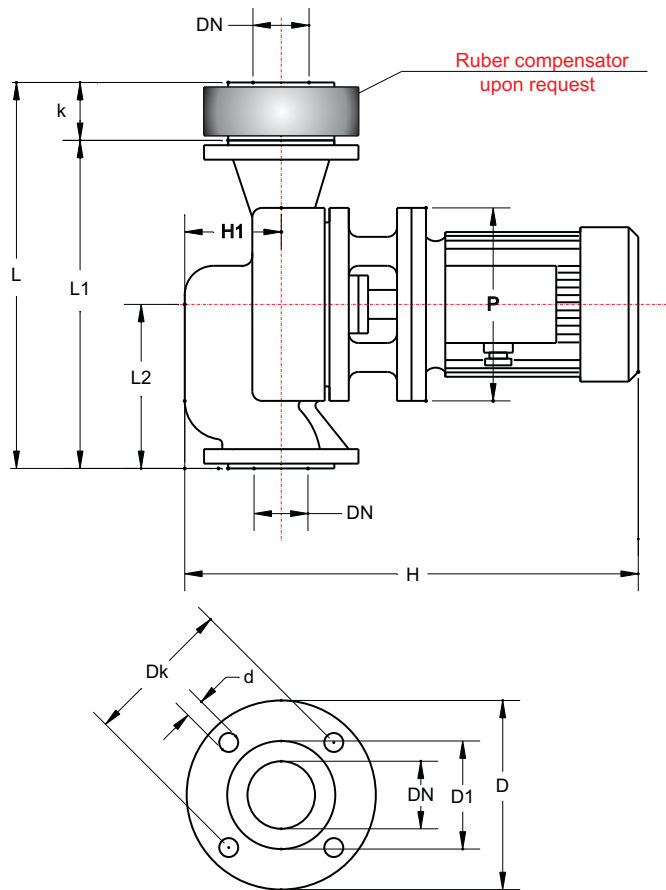


# Cirkulator Pumps with flange

## Inline pumps



## Comprex CPL40 - 2900 r.p.m

Temperature Range : -20 to +140 °C

System pressure: NP 6 (bar)

Materials:

For temperatures up to + 90 °C:

Cast iron, stainless steel

Mechanical seal: Carbon / Ceramic.

For temperatures above +90 °C:

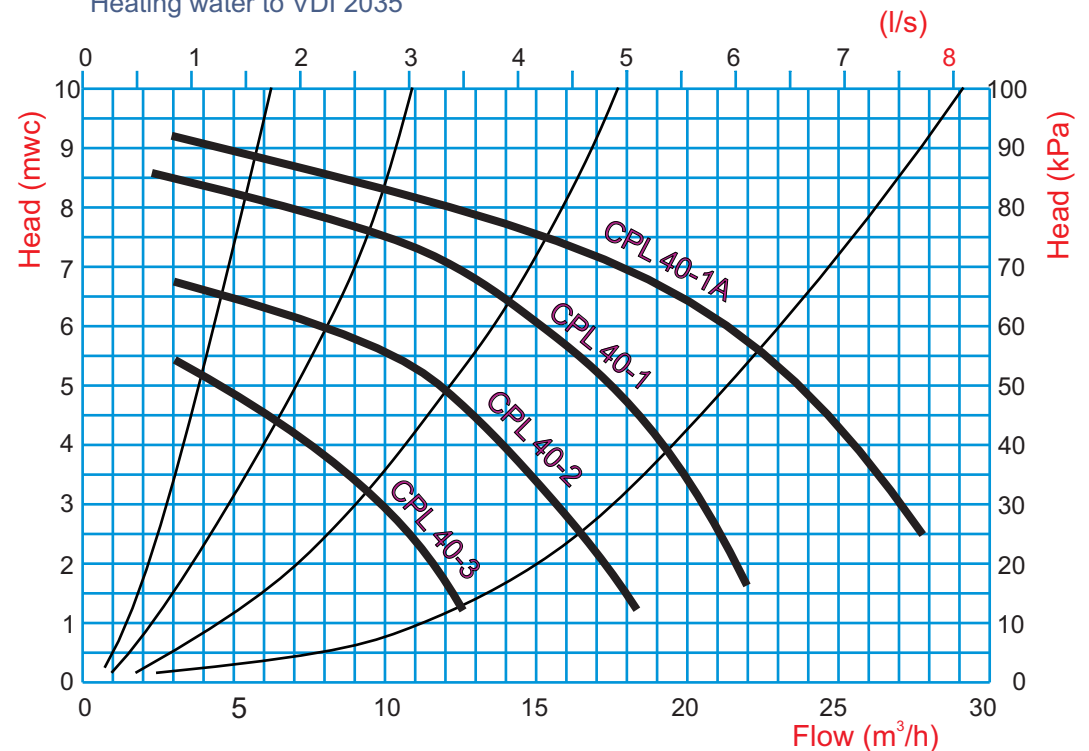
Cast iron, stainless steel and bronze.

Mechanical seal: SiC / SiC / Viton.

Allowed fluids:

Domestic or industrial water without abrasive

Heating water to VDI 2035



Flange NP 6 - DIN 2531					Measurements					
DN	D	D1	Dk	n x d	L	L1	L2	k	DN	H1
	mm			No.x mm	mm					
40	130	80	100	4 x 14	260	210	105	50	40	65

Pump Type	Motor Data				Measurements		Mass
	Type	kW	A	r.p.m	Hmm	Pmm	kg
CPL 40-1A	80 B-2	1,1	2,7	2820	405	200	26
CPL 40-1	80 A-2	0,75	1,9	2790	405	200	25
CPL 40-2	71 B-2	0,55	1,5	2800	375	160	21
CPL 40-3	71 A-2	0,37	1,15	2820	375	160	20

Type testing of pumps is made at the Institute for Hydraulic Machines faculty of Mechanical Engineering in Belgrade, in accordance with the recommendations of DIN 1944 and ISO 2548th. Report number: 06-01-03/95